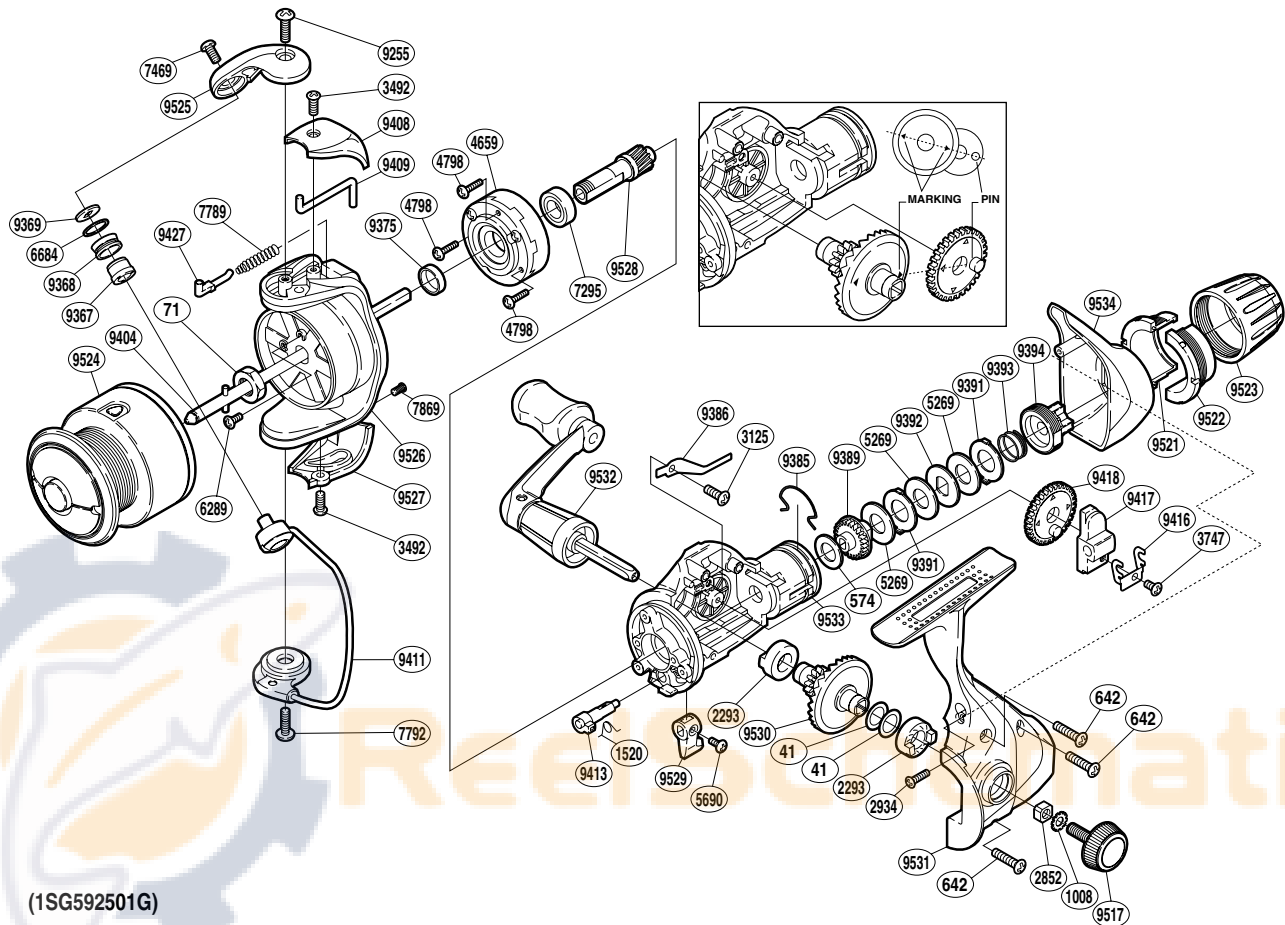


SHIMANO®

Alivio

ALV-2500RA



Part No.	Description	Part No.	Description	Part No.	Description
RD 0041	Washer	RD 7792	Screw	RD 9417	Oscillating Slider
RD 0071	Rotor Nut	RD 7869	Screw	RD 9418	Oscillating Gear
RD 0574	Drag Washer C (cloth)	RD 9255	Screw	RD 9427	Bail Spring Guide
RD 0642	Screw	RD 9367	Line Roller Bushing	RD 9459	Roller Clutch Assembly
RD 1008	Handle Lock Washer	RD 9368	Line Roller	RD 9517	Handle Screw Cap
RD 1520	Anti-Reverse Cam Spring	RD 9375	Rotor Ring	RD 9521	Drag Programmer B1
RD 2293	Drive Gear Bushing	RD 9385	Hold Click Spring	RD 9522	Drag Programmer B2
RD 2852	Handle Screw Lock	RD 9386	Drag Click	RD 9523	Drag Programmer A
RD 2934	Screw	RD 9389	Drag Shaft	RD 9524	Spool Assembly
RD 3125	Screw	RD 9391	Eared Washer	RD 9525	Bail Arm
RD 3492	Screw	RD 9392	Key Washer	RD 9526	Rotor
RD 3747	Screw	RD 9393	Drag Coil Spring	RD 9527	Bail Hold Support Guard
RD 4798	Screw	RD 9394	Pressure Screw	RD 9528	Pinion Gear
RD 5269	Drag Washer H (blue)	RD 9404	Main Shaft	RD 9529	Anti-Reverse Lever
RD 5690	Screw	RD 9408	Bail Spring Cover	RD 9530	Drive Gear
RD 6289	Screw	RD 9409	Bail Trip Lever	RD 9531	Side Cover
RD 6684	Line Roller Spacer	RD 9411	Bail Assembly	RD 9532	Handle Assembly
RD 7295	Ball Bearing	RD 9413	Anti-Reverse Cam	RD 9533	Body
RD 7469	Screw	RD 9416	Oscillating Slider Retainer	RD 9534	Rear Protector
RD 7789	Bail Spring				